

# DIRECT AIR COOLING (DAC): WALL MOUNTABLE SYSTEM

PART # AF000401

Revision: 2.6 | March 2025



## TELECOM SHELTER COOLING SYSTEM

### FEATURES

- Patented air-cooling system provides total environmental control for telecom shelters.
- Dual, Variable Speed, High Efficiency Blowers Apply Positive Pressure to the Shelter
- Deep Media Filter (MERV 14) (MERV 16 available for coastal environments)
- Fits HVAC Return or Supply Opening (3 to 6 ton)
- Controlled by Smart Controller (AF000400) that manages up to 2 HVAC units.
- Reduces Compressor Cycling, Extends life of HVACs and Reduces HVAC maintenance costs

### BENEFITS

- -48VDC Powered; cools on backed up power during power outages
- Reduces electricity spend for site cooling
- Blocked Filter alarm sensor
- Designed for ease of installation (no cranes required)

### SPECIFICATIONS

Dimensions (Wall Unit), in - see page 2	37 W x 40 H x 22.5 D
Dimensions (Exhaust), in - see page 2	23 W x 26 H x 3 D
Weight (Wall DAC Unit) <sup>1</sup> , lbs	150
Colors (Powder Coat)	Cool White (other colors can be quoted)
Equipment heat-load, kW	Up to 12
Operating Temperature Range, F	-20 to 140
Storage Temperature Range, F	-40 to 158

<sup>1</sup> Does not include exhaust kit or pallet weight



**Required cutouts:  
If openings do not pre-exist**

**WAC (intake) openings**  
Max (ideal) 32"W x 15"H  
Min (less ideal) 26"W x 8"H

**Exhaust Openings**  
Max (Ideal) 20"W x 20"H  
Min (less ideal) 16"W x 16"H

# DIRECT AIR COOLING (DAC): WALL MOUNTABLE SYSTEM

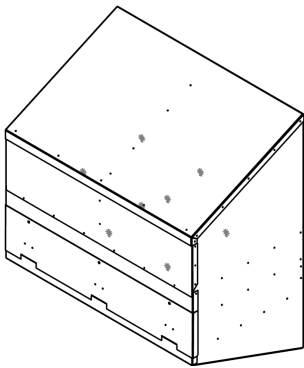


PART # AF000401

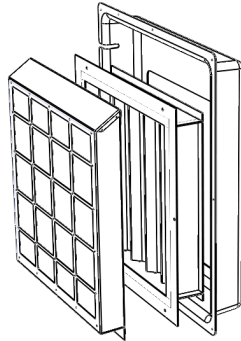
Revision: 2.6 | March 2025

## DIMENSIONS & EQUIPMENT SETUP OPTIONS

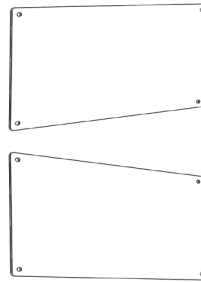
### KIT COMPONENTS



WALL INTAKE UNIT



DOOR EXHAUST

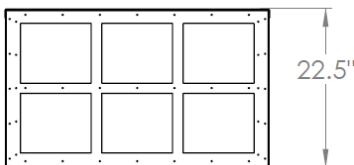
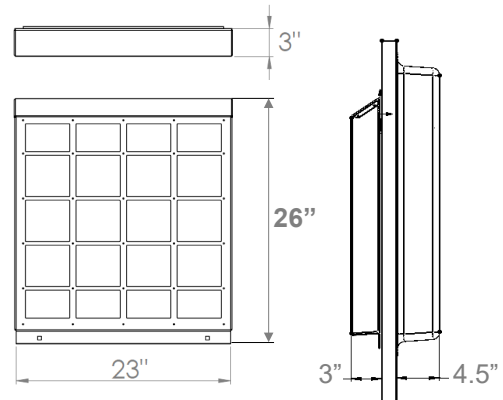
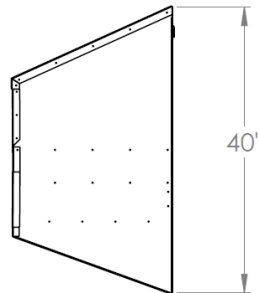
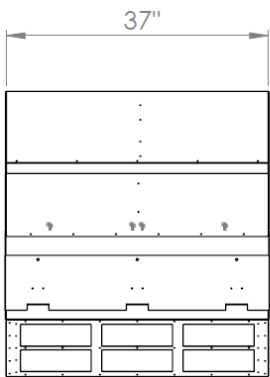


BLANKING PANELS



Spring Return Fire & Safety Damper Actuators (UL555 & UL555S) Provide Failsafe Closure of Intake & Exhaust Ports.

### DIMENSIONS



AF000401	Min.	Typ.	Max
Input Voltage, Volts DC <sup>2</sup>	-36	-48	-60
Power Consumption, W	0	Variable	600
DC Circuit Breaker Required	-	20A	-
Airflow, CFM	0	Variable	2400
Temperature Range, F	-20		+140
Fans Expected Life (L10 @ 40C)	70,000 Hours		
Dampers & Actuators Expected Life	100,000 Hours		

<sup>2</sup>Transients of -72VDC can be tolerated

US Patent:10,098,255 and patents pending

### ABOUT RF INDUSTRIES

RF Industries (RFI) designs and manufactures a broad range of interconnect products across diversified, growing markets including wireless/wireline telecom, data communications and industrial. Our products include RF connectors, coaxial cables, data cables, wire harnesses, fiber optic cables, custom cabling, energy-efficient cooling systems and integrated small cell enclosures.

