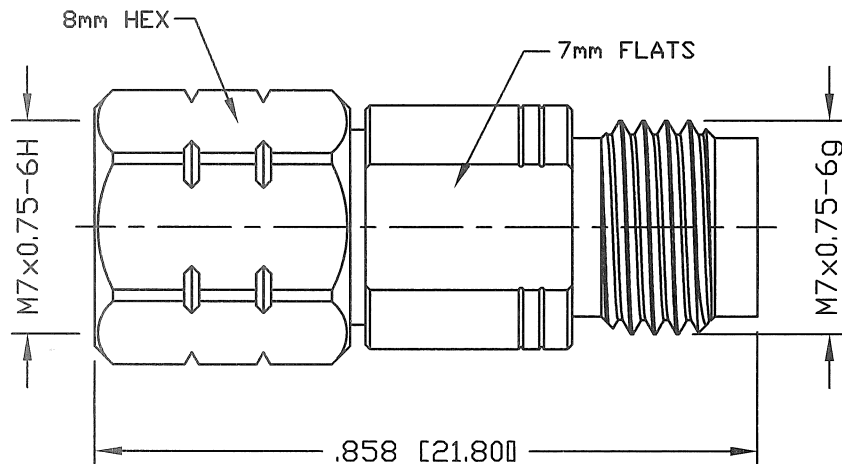


PART NO.

P2RF185M-F-67

REV	DESCRIPTION	ECO/ECN	DATE	APPROVED
A	UPDATED SPECS	1022	04/24/24	JDM

**SPECIFICATIONS:**

INTERFACE PER IEEE STP P287

IMPEDANCE: 50 Ohms

FREQUENCY RANGE: DC-67 GHz

INSERTION LOSS(dB): $\leq 0.1 \times \sqrt{F(\text{GHz})}$ VSWR: ≤ -1.15 @ 67 GHz TYP

VOLTAGE RATING: 335 Vrms

DIELECTRIC WITHSTANDING VOLTAGE: 500 VRMS MIN

INSULATION RESISTANCE: 5k MΩ MIN

TEMPERATURE RANGE: -40°C TO 85°C

DURABILITY: 500 CYCLES MIN

CUSTOMER
OUTLINE DRAWINGALL DIMENSIONS
ARE REFERENCE ONLYUNLESS OTHERWISE SPECIFIED:
DIMENSIONS ARE IN INCHES
AND [MILLIMETERS]DRAWN
C. ZUÑIGA 04/24/24

CHECKED

ORJ DRAWN
C. ZUÑIGA 12/15/23**RoHS
COMPLIANT**

PROPRIETARY AND CONFIDENTIAL

THIS DRAWING CONTAINS
INFORMATION PROPRIETARY TO
RF INDUSTRIES, ANY
UNAUTHORIZED USE OF THIS
DRAWING IS EXPRESSLY
PROHIBITED WITHOUT WRITTEN
PERMISSION FROM RF
INDUSTRIES. ANY VIOLATION IS
PUNISHABLE UNDER U.S.
COPYRIGHT LAWS.

RFconnectors
DIVISION OF RF INDUSTRIES, LTD. SAN DIEGO, CALIFORNIA

RFINDUSTRIES.COM
(858) 549-6340
RF1@RFINDUSTRIES.COM

1.85 MALE TO 1.85 FEMALE

ADAPTER

DWG #

P2RF185M-F-67

CABLE GROUP	CONTROL #	SCALE	FORMAT	SHEET	REVISION
N/A	000000	NTS	A	1 OF 1	A

#	DESCRIPTION	QTY	MATERIAL	FINISH
5	COUPLING NUT	1	STAINLESS STEEL	PASSIVATED
4	GROUND RING	1	STAINLESS STEEL	PASSIVATED
3	CONTACT	1	Be.Cu.	GOLD
2	INSULATOR	1	PEI	NATURAL
1	BODY	1	STAINLESS STEEL	PASSIVATED