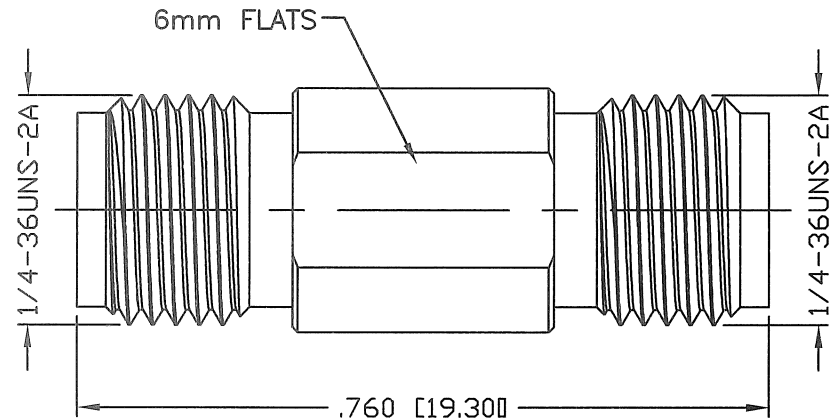


PART NO.		<b>P2RF29F-F-40</b>		
REV	DESCRIPTION	ECO/ECN	DATE	APPROVED
A	CHANGED PART NUMBER / UPDATED SPECS	1022	04/24/24	JDM



**SPECIFICATIONS:**

INTERFACE PER MIL-STD-348B  
 IMPEDANCE: 50 Ohms  
 FREQUENCY RANGE: DC-40 GHz  
 VSWR:  $\leq -1.15$  @ 40 GHz TYP  
 INSERTION LOSS(dB):  $\leq 0.05 \times \sqrt{f(\text{GHz})}$  MAX  
 WORKING VOLTAGE: 500 V rms  
 DIELECTRIC WITHSTANDING VOLTAGE: 2000 VRMS MIN  
 INSULATION RESISTANCE: 5000 M $\Omega$  MIN  
 TEMPERATURE RANGE: -40°C TO 125°C  
 DURABILITY: 100 CYCLES MIN

#	DESCRIPTION	QTY	MATERIAL	FINISH
5	GROUND RING	1	STAINLESS STEEL	PASSIVATED
4	O-RING	1	SILICONE	RED
3	CONTACT	1	Be.Cu.	GOLD
2	INSULATOR	1	PEI	NATURAL
1	BODY	1	STAINLESS STEEL	PASSIVATED

CUSTOMER OUTLINE DRAWING	
ALL DIMENSIONS ARE REFERENCE ONLY	
UNLESS OTHERWISE SPECIFIED: DIMENSIONS ARE IN INCHES AND [MILLIMETERS]	
DRAWN	C. ZUÑIGA 04/24/24
CHECKED	
ORJ DRAWN	C. ZUÑIGA 04/26/23

**RoHS COMPLIANT**

PROPRIETARY AND CONFIDENTIAL

THIS DRAWING CONTAINS INFORMATION PROPRIETARY TO RF INDUSTRIES. ANY UNAUTHORIZED USE OF THIS DRAWING IS EXPRESSLY PROHIBITED WITHOUT WRITTEN PERMISSION FROM RF INDUSTRIES. ANY VIOLATION IS PUNISHABLE UNDER U.S. COPYRIGHT LAWS.

**RFconnectors** DIVISION OF RF INDUSTRIES, LTD. SAN DIEGO, CALIFORNIA

RFINDUSTRIES.COM  
 (858) 549-6340  
 RFI@RFINDUSTRIES.COM

**2.92 FEMALE TO FEMALE MILLIMETER WAVE PRECISION ADAPTER**

DWG # **P2RF29F-F-40**

CABLE GROUP	CONTROL #	SCALE	FORMAT	SHEET	REVISION
N/A	000000	NTS	A	1 OF 1	A