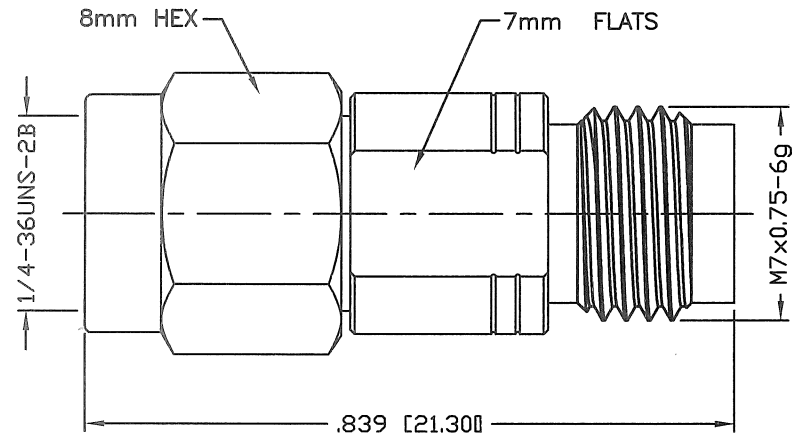


PART NO.

P2RF29M-185F-40

REV	DESCRIPTION	ECO/ECN	DATE	APPROVED
A	CHANGED PART NUMBER / UPDATED SPECS	1022	04/24/24	JDM

**SPECIFICATIONS:**

1.85 INTERFACE PER IEEE STP P287

2.92 INTERFACE PER MIL-STD-348B

IMPEDANCE: 50 Ohms

FREQUENCY RANGE: DC-40 GHz

VSWR: ≤ -1.15 @ 40 GHz TYPINSERTION LOSS(dB): $\leq 0.05 \times \sqrt{f(\text{GHz})}$ MAX

WORKING VOLTAGE: 500 V rms

DIELECTRIC WITHSTANDING VOLTAGE: 1000 VRMS MIN

INSULATION RESISTANCE: 5000 M Ω MIN

TEMPERATURE RANGE: -40°C TO 85°C

DURABILITY: 500 CYCLES MIN

CUSTOMER
OUTLINE DRAWINGALL DIMENSIONS
ARE REFERENCE ONLYUNLESS OTHERWISE SPECIFIED:
DIMENSIONS ARE IN INCHES
AND [MILLIMETERS]**RoHS
COMPLIANT**

PROPRIETARY AND CONFIDENTIAL
THIS DRAWING CONTAINS
INFORMATION PROPRIETARY TO
RF INDUSTRIES, ANY
UNAUTHORIZED USE OF THIS
DRAWING IS EXPRESSLY
PROHIBITED WITHOUT WRITTEN
PERMISSION FROM RF
INDUSTRIES. ANY VIOLATION IS
PUNISHABLE UNDER U.S.
COPYRIGHT LAWS.

RFconnectors RFINDUSTRIES.COM
(858) 549-6340
RFI@RFINDUSTRIES.COM
DIVISION OF RF INDUSTRIES, LTD. SAN DIEGO, CALIFORNIA

**2.92 MALE TO 185 FEMALE
MILLIMETER WAVE PRECISION ADAPTER**

DWG # **P2RF29M-185F-40**

CABLE GROUP	CONTROL #	SCALE	FORMAT	SHEET	REVISION
N/A	000000	NTS	A	1 OF 1	A

#	DESCRIPTION	QTY	MATERIAL	FINISH
4	COUPLING NUT	1	STAINLESS STEEL	PASSIVATED
3	CONTACT	1	Be.Cu.	GOLD
2	INSULATOR	1	PEI	NATURAL
1	BODY	1	STAINLESS STEEL	PASSIVATED

DRAWN	C. ZUÑIGA	04/24/24
CHECKED		
ORJ DRAWN	C. ZUÑIGA	04/26/23