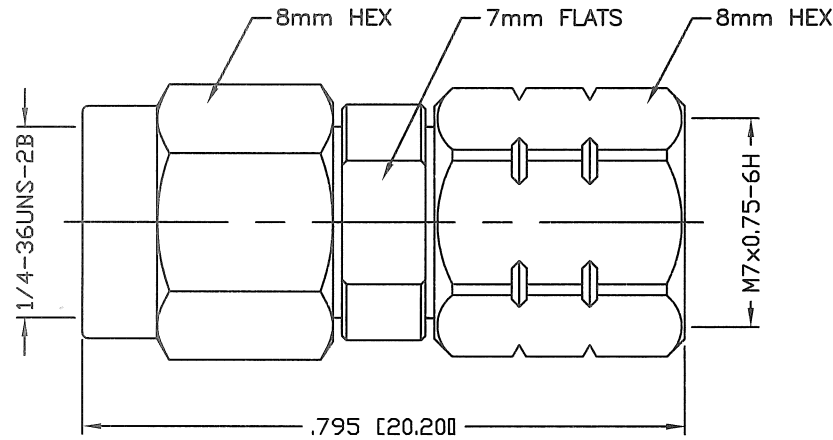


PART NO.		P2RF29M-185M-40		
REV	DESCRIPTION	ECO/ECN	DATE	APPROVED
A	CHANGED PART NUMBER / UPDATED SPECS	1022	04/24/24	JDM



SPECIFICATIONS:

1.85 INTERFACE PER IEEE STP P287
 2.92 INTERFACE PER MIL-STD-348B
 IMPEDANCE: 50 Ohms
 FREQUENCY RANGE: DC-40 GHz
 VSWR: ≤ -1.15 @ 40 GHz TYP
 INSERTION LOSS(dB): $\leq 0.05 \times \sqrt{f(\text{GHz})}$ MAX
 WORKING VOLTAGE: 500 V rms
 DIELECTRIC WITHSTANDING VOLTAGE: 1000 VRMS MIN
 INSULATION RESISTANCE: 5000 M Ω MIN
 TEMPERATURE RANGE: -40°C TO 85°C
 DURABILITY: 500 CYCLES MIN

3	CONTACT	1	Be.Cu.	GOLD
2	INSULATOR	1	PEI	NATURAL
1	BODY	1	STAINLESS STEEL	PASSIVATED
#	DESCRIPTION	QTY	MATERIAL	FINISH

DRAWN C. ZUÑIGA		04/24/24
CHECKED		
ORJ DRAWN C. ZUÑIGA		04/26/23

CUSTOMER OUTLINE DRAWING	
ALL DIMENSIONS ARE REFERENCE ONLY	
UNLESS OTHERWISE SPECIFIED: DIMENSIONS ARE IN INCHES AND [MILLIMETERS]	

RoHS COMPLIANT	
PROPRIETARY AND CONFIDENTIAL THIS DRAWING CONTAINS INFORMATION PROPRIETARY TO RF INDUSTRIES, ANY UNAUTHORIZED USE OF THIS DRAWING IS EXPRESSLY PROHIBITED WITHOUT WRITTEN PERMISSION FROM RF INDUSTRIES. ANY VIOLATION IS PUNISHABLE UNDER U.S. COPYRIGHT LAWS.	

RFconnectors		RFINDUSTRIES.COM (858) 549-6340 RFI@RFINDUSTRIES.COM	
DIVISION OF RF INDUSTRIES, LTD. SAN DIEGO, CALIFORNIA			
2.92 MALE TO 1.85 MALE MILLIMETER WAVE PRECISION ADAPTER			
DWG # P2RF29M-185M-40			
CABLE GROUP	CONTROL #	SCALE	FORMAT
N/A	000000	NTS	A
SHEET	REVISION		
1 OF 1	A		