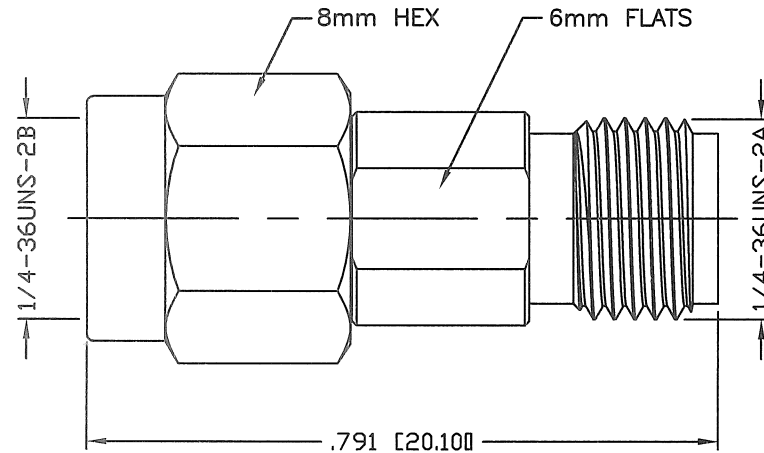


PART NO.

**P2RF29M-F-40**

REV	DESCRIPTION	ECO/ECN	DATE	APPROVED
A	CHANGED PART NUMBER / UPDATED SPECS	1022	04/24/24	JDM

**SPECIFICATIONS:**

INTERFACE PER MIL-STD-348B  
 IMPEDANCE: 50 Ohms  
 FREQUENCY RANGE: DC-40 GHz  
 VSWR:  $\leq -1.15$  @ 40 GHz TYP  
 INSERTION LOSS(dB):  $\leq 0.12 \times \sqrt{f(\text{GHz})}$  MAX  
 WORKING VOLTAGE: 500 V rms  
 DIELECTRIC WITHSTANDING VOLTAGE: 2000 VRMS MIN  
 INSULATION RESISTANCE: 5000 M $\Omega$  MIN  
 TEMPERATURE RANGE: -40°C TO 85°C  
 DURABILITY: 100 CYCLES MIN

#	DESCRIPTION	QTY	MATERIAL	FINISH
6	COUPLING NUT	1	STAINLESS STEEL	PASSIVATED
5	GROUND RING	1	STAINLESS STEEL	PASSIVATED
4	O-RING	1	SILICONE	RED
3	CONTACT	1	Be.Cu.	GOLD
2	INSULATOR	1	PEI	NATURAL
1	BODY	1	STAINLESS STEEL	PASSIVATED

CUSTOMER  
OUTLINE DRAWINGALL DIMENSIONS  
ARE REFERENCE ONLYUNLESS OTHERWISE SPECIFIED:  
DIMENSIONS ARE IN INCHES  
AND [MILLIMETERS]

DRAWN	C. ZUÑIGA	04/24/24
CHECKED		
ORJ DRAWN	C. ZUÑIGA	04/26/23

**RoHS  
COMPLIANT**

PROPRIETARY AND CONFIDENTIAL  
 THIS DRAWING CONTAINS  
 INFORMATION PROPRIETARY TO  
 RF INDUSTRIES, ANY  
 UNAUTHORIZED USE OF THIS  
 DRAWING IS EXPRESSLY  
 PROHIBITED WITHOUT WRITTEN  
 PERMISSION FROM RF  
 INDUSTRIES. ANY VIOLATION IS  
 PUNISHABLE UNDER U.S.  
 COPYRIGHT LAWS.

**RFconnectors**

RFINDUSTRIES.COM  
 (858) 549-6340  
 RF1@RFINDUSTRIES.COM  
 DIVISION OF RF INDUSTRIES, LTD. SAN DIEGO, CALIFORNIA

**2.92 MALE TO 2.92 FEMALE  
 MILLIMETER WAVE PRECISION ADAPTER**

DWG # **P2RF29M-F-40**

CABLE GROUP	CONTROL #	SCALE	FORMAT	SHEET	REVISION
N/A	000000	NTS	A	1 OF 1	A